

NMO Mount Mobile Whip Antenna

Cellular/PCS Dual Band NMO Mount Mobile Factory Tuned Antenna. Pulse Part Number: NMOC/P3E



Electrical Specifications

Frequency Range [MHz]	824-960/ 1850-1990
Nominal Impedance [Ω]	50
VSWR	2:1 Max
Peak Gain 890MHz & 1920MHz [dBi]	4 \pm 0.5
Radiation Pattern	Omni-Directional
Polarization	Vertical
Power Withstanding [W]	10

Mechanical and Environmental Specifications, Required Ground Plane Size

Plastic radome	Color	Overall Height [Inches]	Overall Diameter [Inches]	Mounting System	Operating Temperature [°C]	Required Ground Plane Size
KRATON	Black	4.73	1.6	NMO Mount	-40/+70	Ø12" Minimum

Pulse Finland Oy

Takatie 6
90440 Kempele, Finland
Tel: +358 207 935 500
Fax: +358 207 935 501
www.pulseeng.com/antennas

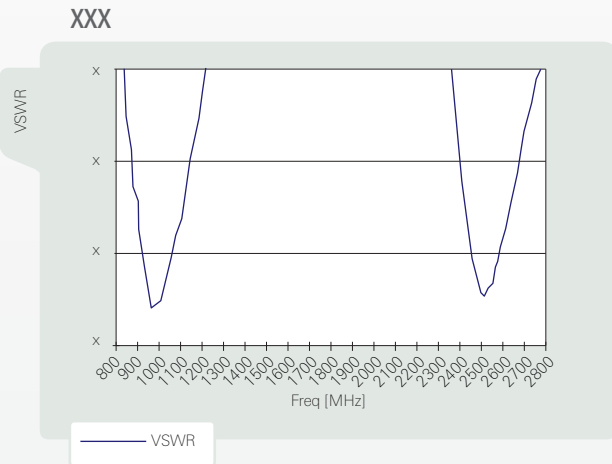


NMO Mount Mobile Whip Antenna

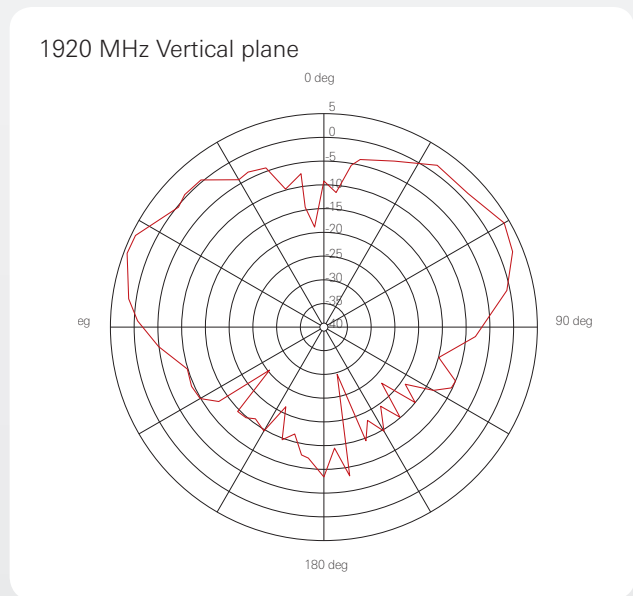
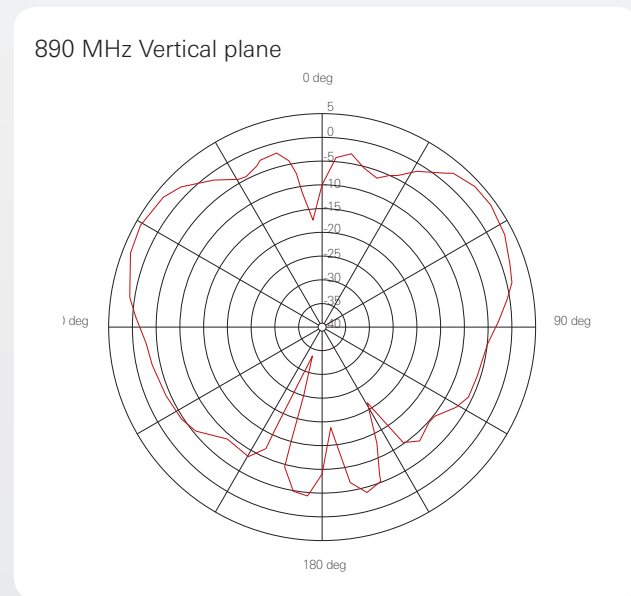
Cellular/PCS Dual Band NMO Mount Mobile Factory Tuned Antenna. Pulse Part Number: NMOC/P3E

Curves

VSWR, Measured on Ø40" ground plane, calibrated at antenna



Curves, Measured on Ø40" ground plane



Pulse Finland Oy

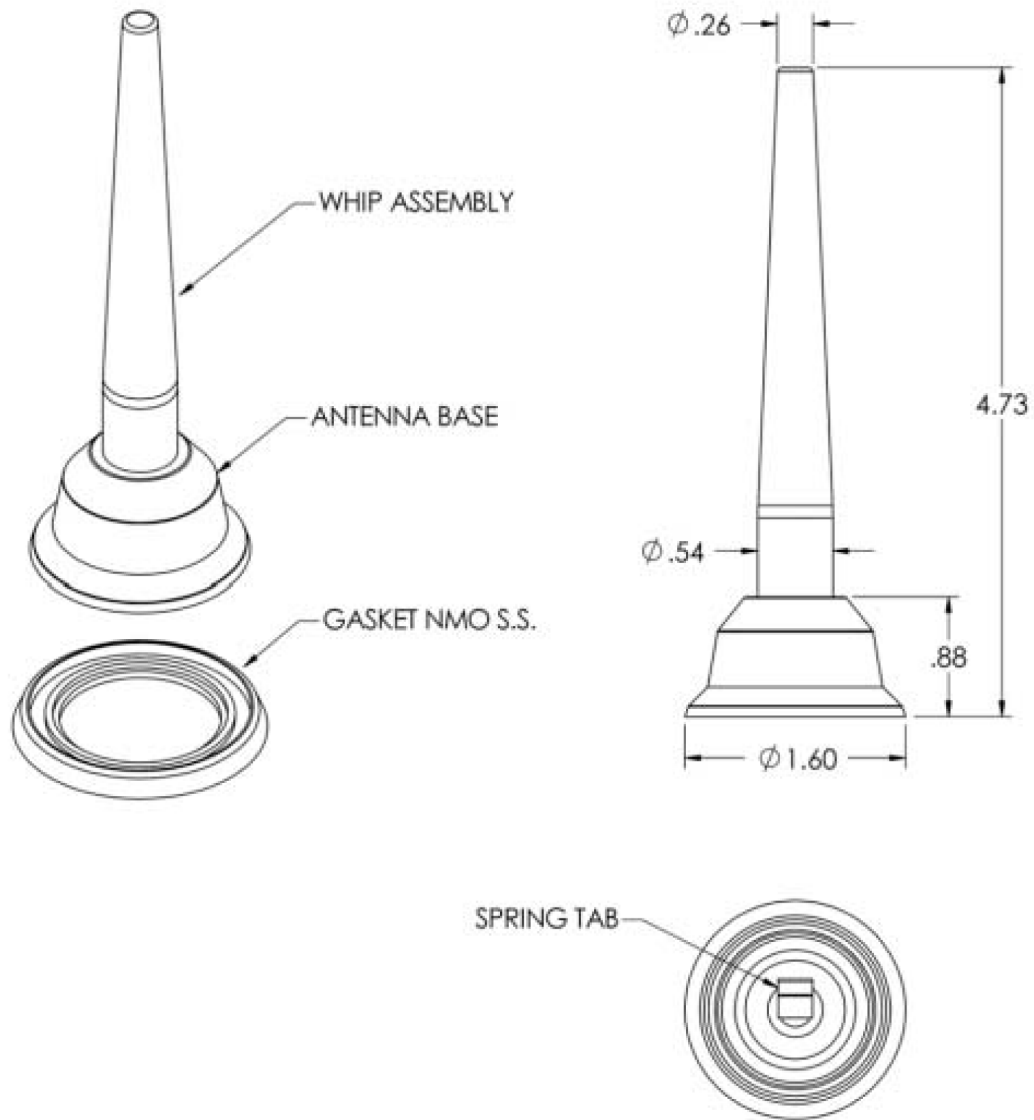
Takatie 6
90440 Kempele, Finland
Tel: +358 207 935 500
Fax: +358 207 935 501

www.pulseeng.com/antennas



NMO Mount Mobile Whip Antenna

Cellular/PCS Dual Band NMO Mount Mobile Factory Tuned Antenna. Pulse Part Number: NMOC/P3E



All dimensions are inches

Pulse Finland Oy

Takatie 6
90440 Kempele, Finland
Tel: +358 207 935 500
Fax: +358 207 935 501
www.pulseeng.com/antennas

